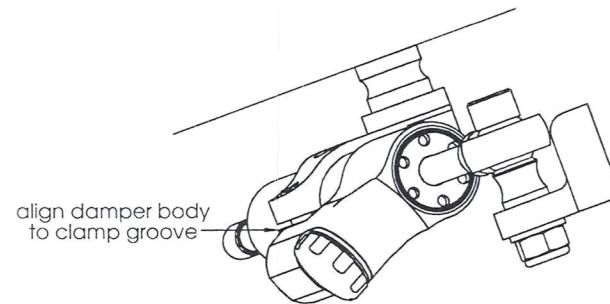
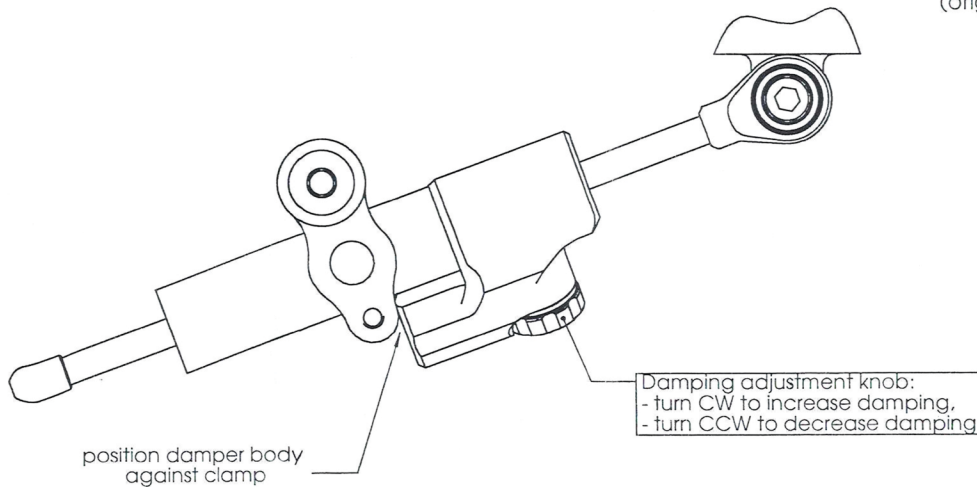
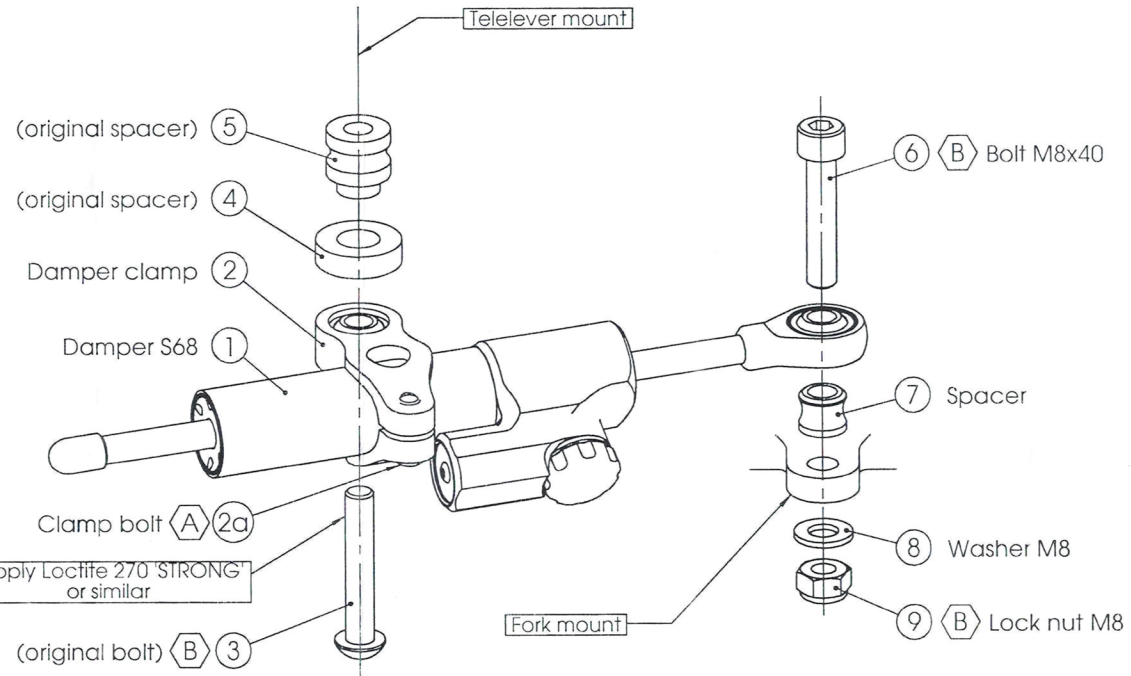


BMW R1200 GS LC [Adv] 2014> BMW R1200 RT 2014->

Part nr.: 52.14.117 parts list

SD stroke 68	1	-	-
Damper Clamp (DB018235)	1	-	-
M8x40	1	-	-
Spacer (SP0001)	1	-	-
Washer M8 ϕ 16	1	-	-
Lock nut M8	1	-	-
-	-	-	-
-	-	-	-

Remove the original steering damper



TORQUES

A: 5-9Nm / 44-80Lbs.In / 4.0-6.4Lbs.Ft

B: 14-17Nm / 124-150Lbs.In / 10.3-12.5Lbs.Ft

C: 6Nm / 53Lbs.In / 4.4Lbs.Ft

D: 8Nm / 70Lbs.In / 5.9Lbs.Ft

E: 55Nm / 486Lbs.In / 40Lbs.Ft

F: Factory torque (see owners manual)